

THIS DRAWING IS UNPUBLISHED. RELEASED FOR PUBLICATION
 © COPYRIGHT BY TYCO ELECTRONICS CORPORATION. ALL RIGHTS RESERVED.

PHYSICAL PROPERTIES:
 HOUSING MATERIAL: PBT
 FLAMMABILITY: UL94V-0
 COLOR: BLACK
 MAX BOW/WARP: .0056 IN/IN.

TERMINAL:
 TERMINALS: BRASS, TIN PLATED. (UNLESS OTHERWISE STATED)
 SCREWS: 8-32 STEEL, NICKEL PLATED. (UNLESS OTHERWISE STATED)
 Q.C. TABS: BRASS, NICKEL PLATED.

MECHANICAL:
 PITCH (TERMINAL SPACING): .563"
 WIRE RANGE: 10-22 AWG
 RECOMMENDED TIGHTENING TORQUE: 14IN-LBS MAX.

ELECTRICAL PROPERTIES:
 MAXIMUM CURRENT: 30A
 OPERATING VOLTAGE: 300V

ENVIRONMENTAL PROPERTIES:
 OPERATING TEMP RANGE: -40°C TO 120°C

- 1 STAINLESS STEEL SCREWS.
- 2 WHITE INK STAMP.
- 3 NICKEL PLATED BRASS TERMINALS.
- 4 NICKEL PLATED BRASS SCREWS.
- 5 SEE FIGURE.
- 6 PRELIMINARY PART NUMBER.
- 7 OBSOLETE PART NUMBER.

LOC	DIST	REVISIONS					
FT	0	P	LTR	DESCRIPTION	DATE	DWN	APVD
		T1		REVISED PER ECO-08-015869	26JUN08	HMR	FD

REV	DESCRIPTION	QTY	UNIT	LOC	DIST	DATE	DWN	APVD	DIM B	DIM A	NO. OF POSN	PART NUMBER										
6.5									7.886	8.323	13	1-1546310-3										
2.6						12	12	12	7.323	7.760	12	4-1546310-8										
6		8				12	12	12	7.323	7.760	12	4-1546310-7										
						12	12	12	7.323	7.760	12	4-1546310-6										
									7.323	7.760	12	1-1546310-2										
									6.760	7.179	11	1-1546310-1										
									6.197	6.634	10	1-1546310-0										
									5.634	6.071	9	1546310-9										
4									8	5.071	5.508	8	4-1546310-5									
		8	8						5.071	5.508	8	2-1546310-9										
									5.071	5.508	8	1546310-8										
						7			4.508	4.945	7	3-1546310-8										
									4.508	4.945	7	1546310-7										
4									6	3.945	4.382	6	4-1546310-4									
4.6									3.945	4.382	6	4-1546310-3										
									6	3.945	4.382	6	4-1546310-2									
5.3.2.1									3.945	4.382	6	3-1546310-1										
						6			3.945	4.382	6	3-1546310-0										
		6	6						3.945	4.382	6	2-1546310-8										
6.5.4.3		1	1			5	1		3.945	4.382	6	2-1546310-6										
6.1								6	3.945	4.382	6	2-1546310-3										
6.1						6			3.945	4.382	6	2-1546310-2										
6									6	3.945	4.382	6	2-1546310-1									
6.5.2								6	3.945	4.382	6	1546636-1										
6.1				6				6	3.945	4.382	6	1-1546310-9										
1				6					3.945	4.382	6	1546589-1										
									3.945	4.382	6	1546310-6										
						5			3.382	3.819	5	3-1546310-7										
6.5.4.3		1	1					1	3.382	3.819	5	2-1546310-7										
									3.382	3.819	5	1546310-5										
2.6								4	2.819	3.256	4	5-1546310-0										
5.4.3.2									2.819	3.256	4	4-1546310-1										
1.4									2.819	3.256	4	4-1546310-0										
5.3.2.1									2.819	3.256	4	3-1546310-9										
									2.819	3.256	4	1546310-4										
6.4.3									2.256	2.693	3	2-1546310-5										
6.5.1									2.256	2.693	3	2-1546310-4										
6.5.1				1	2			1	2.256	2.693	3	2-1546310-0										
									2.256	2.693	3	1546310-3										
									1.693	2.130	2	1546310-2										
NOTES	9	OTB JUMPER	8	.250 QC TAB 90° DOUBLE SIDE	7	.250 QC TAB 90°/45° DOUBLE SIDE	6	.250 QC TAB 90° DOUBLE SIDE	5	.250 QC TAB 45° DOUBLE SIDE	4	.250 QC TAB STRAIGHT DOUBLE SIDE	3	.250 QC TAB 90° SINGLE SIDE	2	.250 QC TAB 45° SINGLE SIDE	1	.250 QC TAB STRAIGHT SINGLE SIDE	DIM B	DIM A	NO. OF POSN	PART NUMBER

THIS DRAWING IS A CONTROLLED DOCUMENT.

DWN	S SCHLEGEL	16FEB2007
CHK	S YODER	2/16/07
APVD	S YODER	2/16/07
PRODUCT SPEC		
APPLICATION SPEC		
WEIGHT		

Tyco Electronics Corporation
 Harrisburg, PA 17105-3608

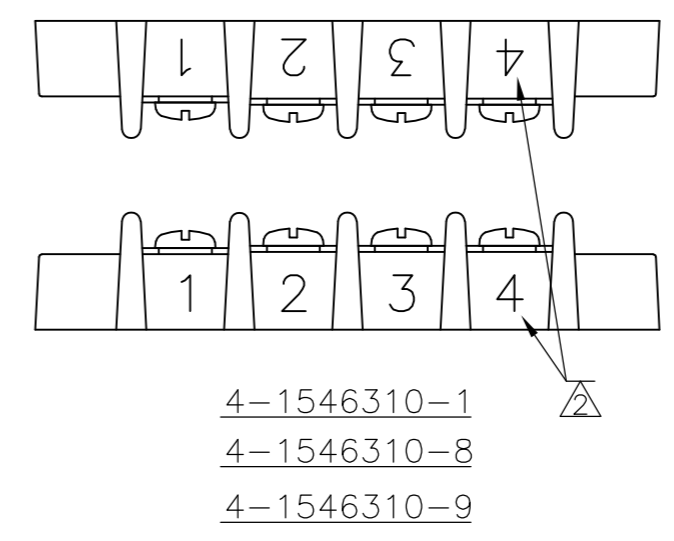
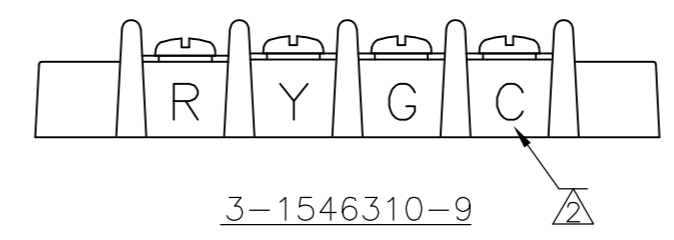
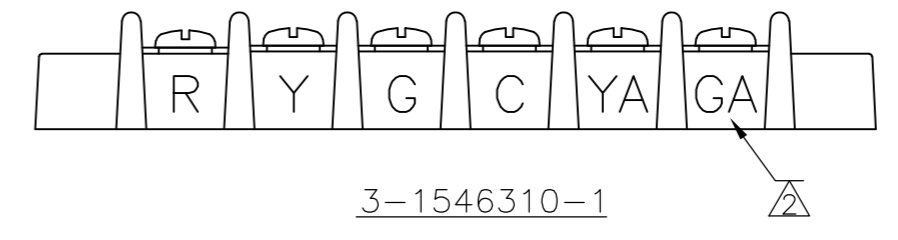
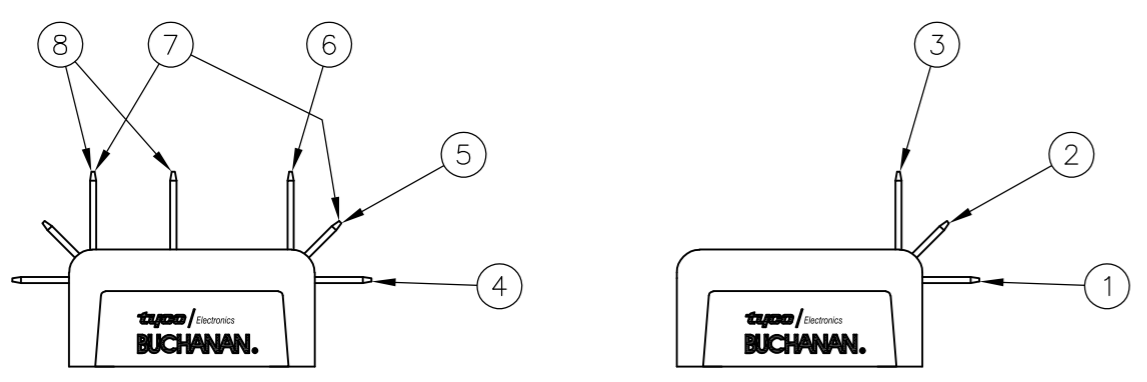
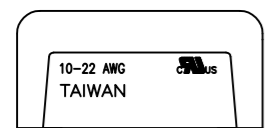
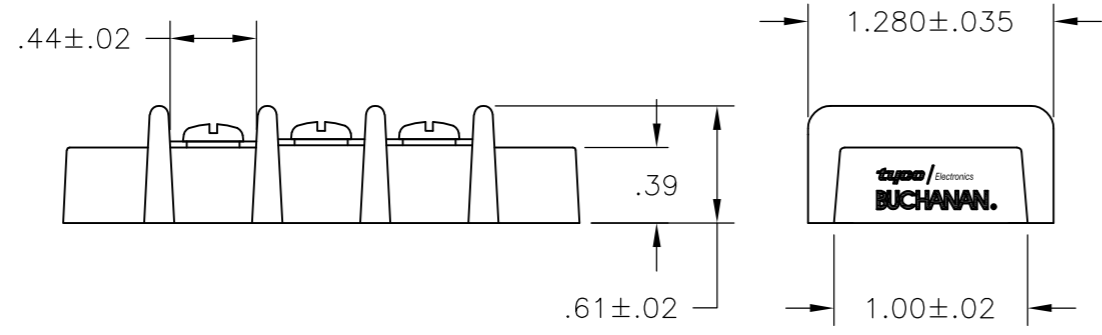
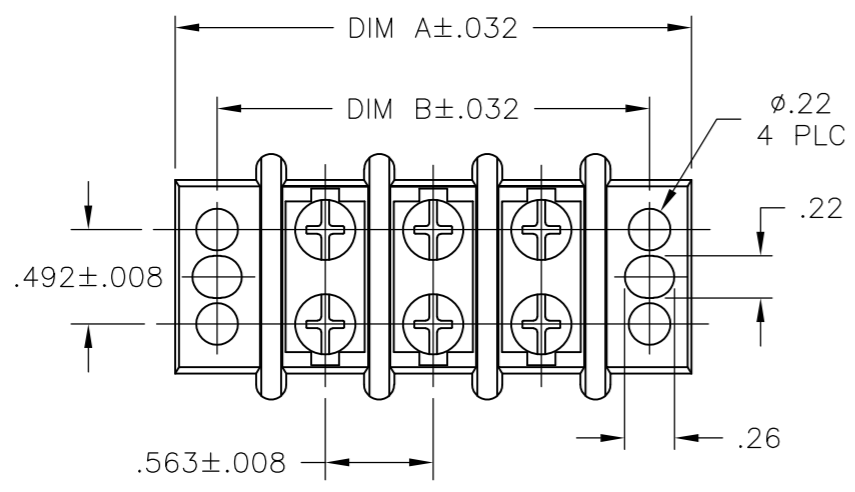
NAME: 14.3 (.563) DBL ROW BARRIER STRIP W/O WASHER

SIZE: A2 CAGE CODE: 00779 DRAWING NO: 1546310 RESTRICTED TO: -

CUSTOMER DRAWING SCALE: NTS SHEET: 1 OF 4 REV: T1

THIS DRAWING IS UNPUBLISHED. RELEASED FOR PUBLICATION
 © COPYRIGHT BY TYCO ELECTRONICS CORPORATION. ALL RIGHTS RESERVED.

LOC	DIST	REVISIONS					
FT	0	P	LTR	DESCRIPTION	DATE	DWN	APVD
				SEE SHEET 1			



											10.701	11.138	18	1-1546310-8
											10.138	10.575	17	1-1546310-7
											9.575	10.012	16	1-1546310-6
											9.012	9.449	15	1-1546310-5
△/△									14	14	8.449	8.886	14	4-1546310-9
											8.449	8.886	14	1-1546310-4
NOTES	9	8	7	6	5	4	3	2	1		DIM B	DIM A	NO. OF POSN	PART NUMBER

THIS DRAWING IS A CONTROLLED DOCUMENT.

DWN	S SCHLEGEL	16FEB2007
CHK	S YODER	2/16/07
APVD	S YODER	2/16/07
PRODUCT SPEC		
APPLICATION SPEC		
WEIGHT		
CUSTOMER DRAWING		

TOLERANCES UNLESS OTHERWISE SPECIFIED:

0 PLC	±	-
1 PLC	±	-
2 PLC	±	-
3 PLC	±	-
4 PLC	±	-
ANGLES	±	-

MATERIAL: - FINISH: -

NAME: 14.3 (.563) DBL ROW BARRIER STRIP W/O WASHER

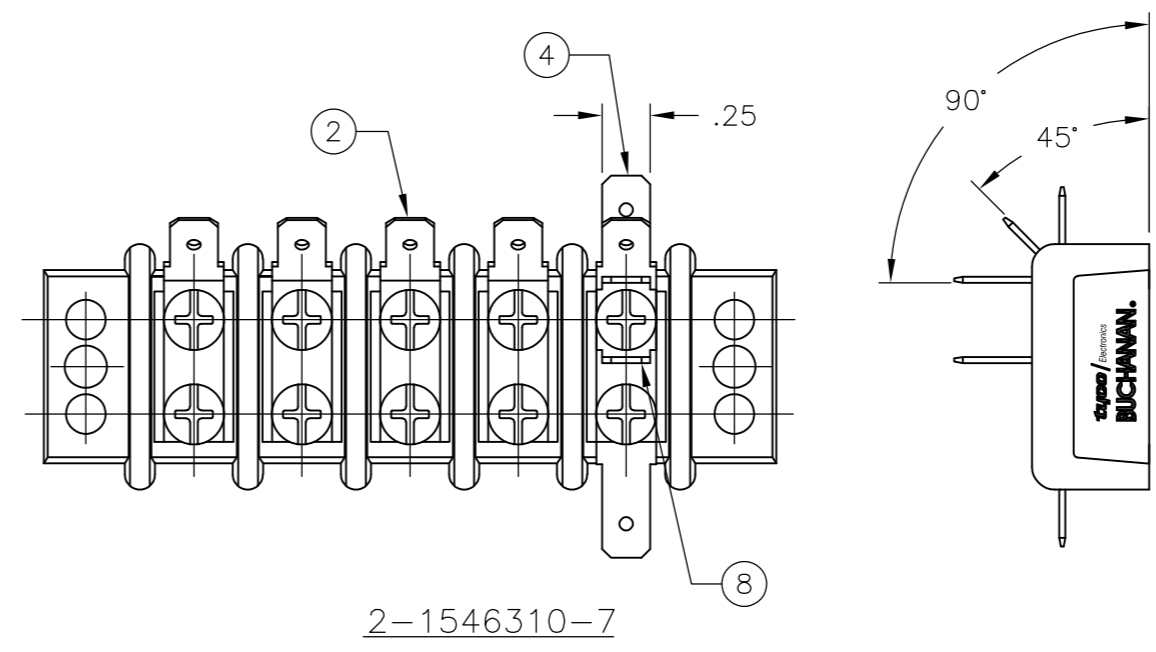
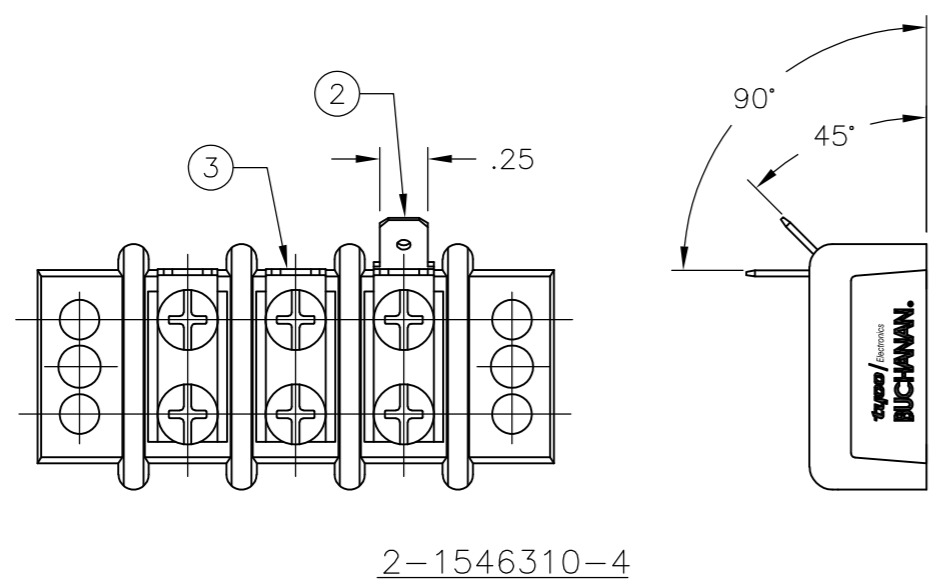
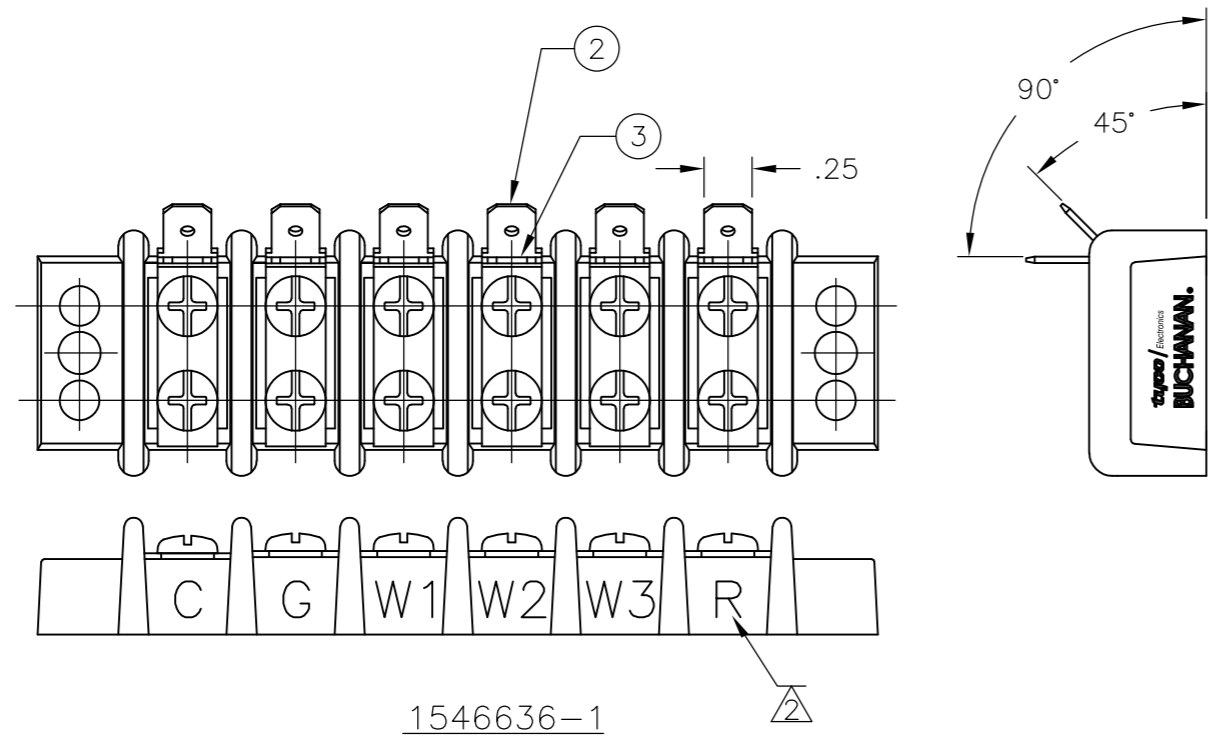
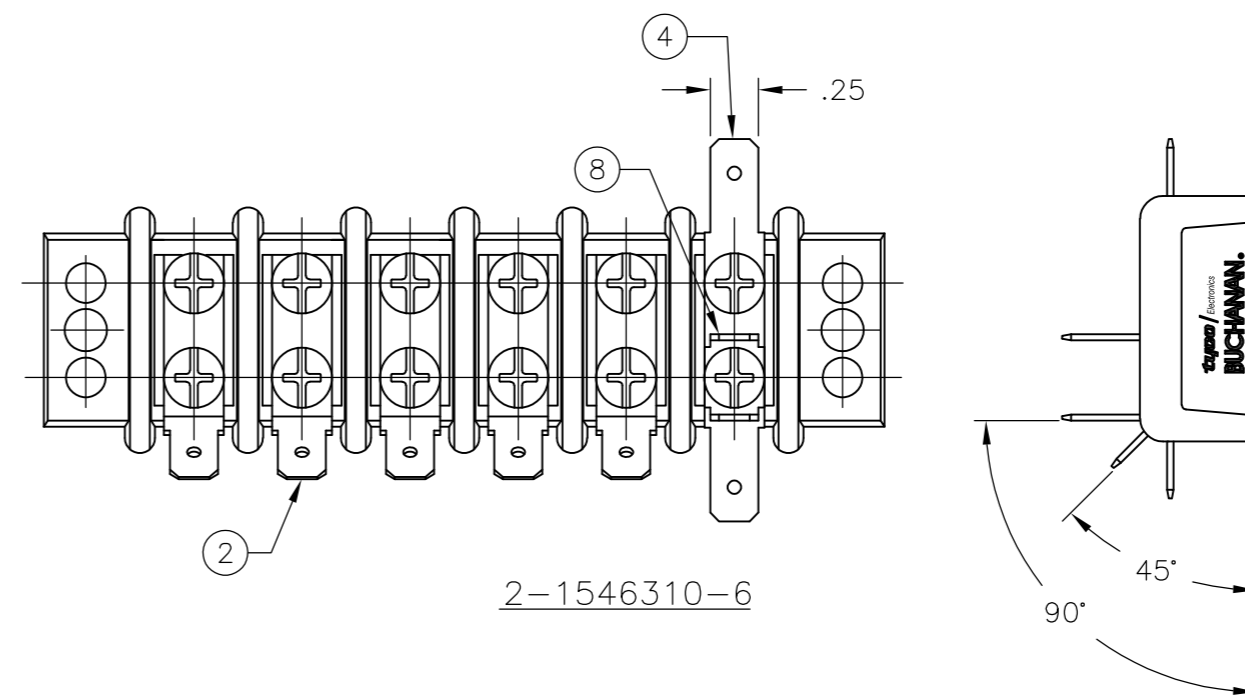
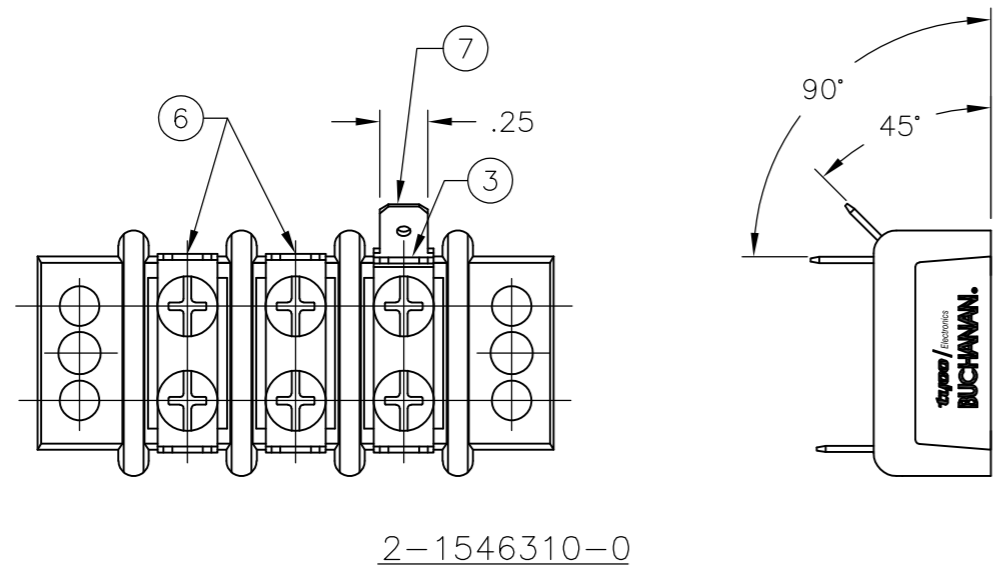
SIZE: A2 CAGE CODE: 00779 DRAWING NO: 1546310 RESTRICTED TO: -

SCALE: NTS SHEET: 2 of 4 REV: T1

1546310

THIS DRAWING IS UNPUBLISHED. RELEASED FOR PUBLICATION
 © COPYRIGHT BY TYCO ELECTRONICS CORPORATION. ALL RIGHTS RESERVED.

LOC		DIST		REVISIONS			
P	LTR	DESCRIPTION	DATE	DWN	APVD		
FT	0	SEE SHEET 1					

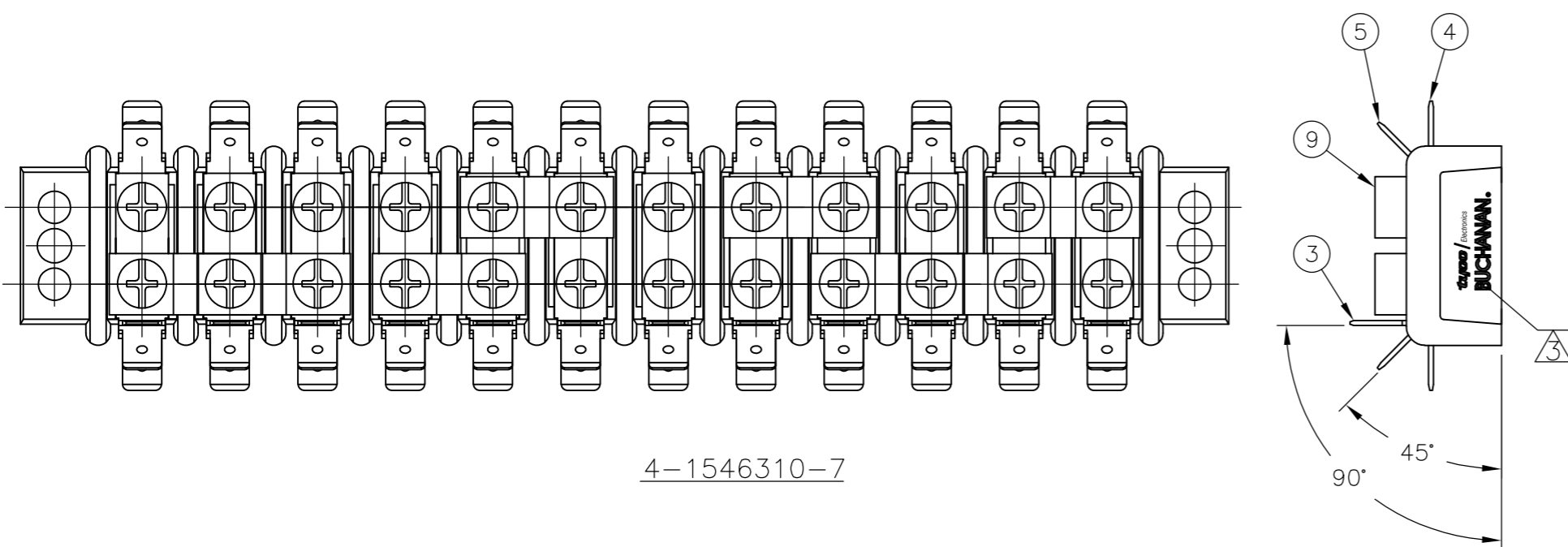


THIS DRAWING IS A CONTROLLED DOCUMENT.		DWN S SCHLEGEL 16FEB2007	Tyco Electronics Corporation Harrisburg, PA 17105-3608	
DIMENSIONS: INCHES		CHK S YODER 2/16/07		
TOLERANCES UNLESS OTHERWISE SPECIFIED:		APVD S YODER 2/16/07	NAME 14.3 (.563) DBL ROW BARRIER STRIP W/O WASHER	
0 PLC ± - 1 PLC ± - 2 PLC ± - 3 PLC ± - 4 PLC ± - ANGLES ± - FINISH -		PRODUCT SPEC -	SIZE A2	RESTRICTED TO -
MATERIAL -		APPLICATION SPEC -	CAGE CODE 00779	DRAWING NO 1546310
		WEIGHT -	SCALE NTS	SHEET 3 of 4
		CUSTOMER DRAWING	REV T1	

1546310

THIS DRAWING IS UNPUBLISHED. RELEASED FOR PUBLICATION
 © COPYRIGHT BY TYCO ELECTRONICS CORPORATION. ALL RIGHTS RESERVED.

LOC	DIST	REVISIONS					
FT	0	P	LTR	DESCRIPTION	DATE	DWN	APVD
				SEE SHEET 1			



4-1546310-7

1546310

THIS DRAWING IS A CONTROLLED DOCUMENT.		DWN	16FEB2007		Tyco Electronics Corporation Harrisburg, PA 17105-3608				
DIMENSIONS: INCHES		CHK	S SCHLEGEL 2/16/07						
TOLERANCES UNLESS OTHERWISE SPECIFIED:		APVD	S YODER 2/16/07						
0 PLC ± - 1 PLC ± - 2 PLC ± - 3 PLC ± - 4 PLC ± - ANGLES ± -		PRODUCT SPEC	-						
MATERIAL		APPLICATION SPEC	-		NAME	14.3 (.563) DBL ROW BARRIER STRIP W/O WASHER			
FINISH		WEIGHT	-		SIZE	CAGE CODE	DRAWING NO	RESTRICTED TO	
-		CUSTOMER DRAWING		SCALE	NTS	SHEET	4 of 4	REV	T1